



INSTRUCTION BULLETIN

No. 9004949
Machine: S30/S30 XP/
S30 X4
Published: 07-2008
Rev. 00

NOTE: DO NOT DISCARD the Parts List from the Instruction Bulletin. Place the Parts List in the appropriate place in the machine manual for future reference. Retaining the Parts List will make it easier to reorder individual parts and will save the cost of ordering an entire kit.

NOTE: Numbers in parenthesis () are reference numbers for parts listed in Bill of Materials.

Installation instructions for **kit number 9002663**

SYNOPSIS:

This kit contains the parts needed to install a deluxe seat kit on S30, S30 XP, and S30 X4 sweepers. Please follow step-by-step instructions.

SPECIAL TOOLS / CONSIDERATIONS: NONE

(Estimated time to complete: 1/2 hour)

PREPARATION:

1. Park the machine on a clean level surface, turn off the machine, remove the key, and set the parking brake.

FOR SAFETY: Before leaving or servicing machine, stop on level surface, turn off machine, and remove key.

INSTALLATION:

1. Remove the old seat and all mounting hardware from the machine. Discard all removed items. Refer to Fig. 1.
2. Use four hex nuts (3) and four flat washers (2) to install the suspension seat (1) onto the seat panel. Refer to Fig. 1.

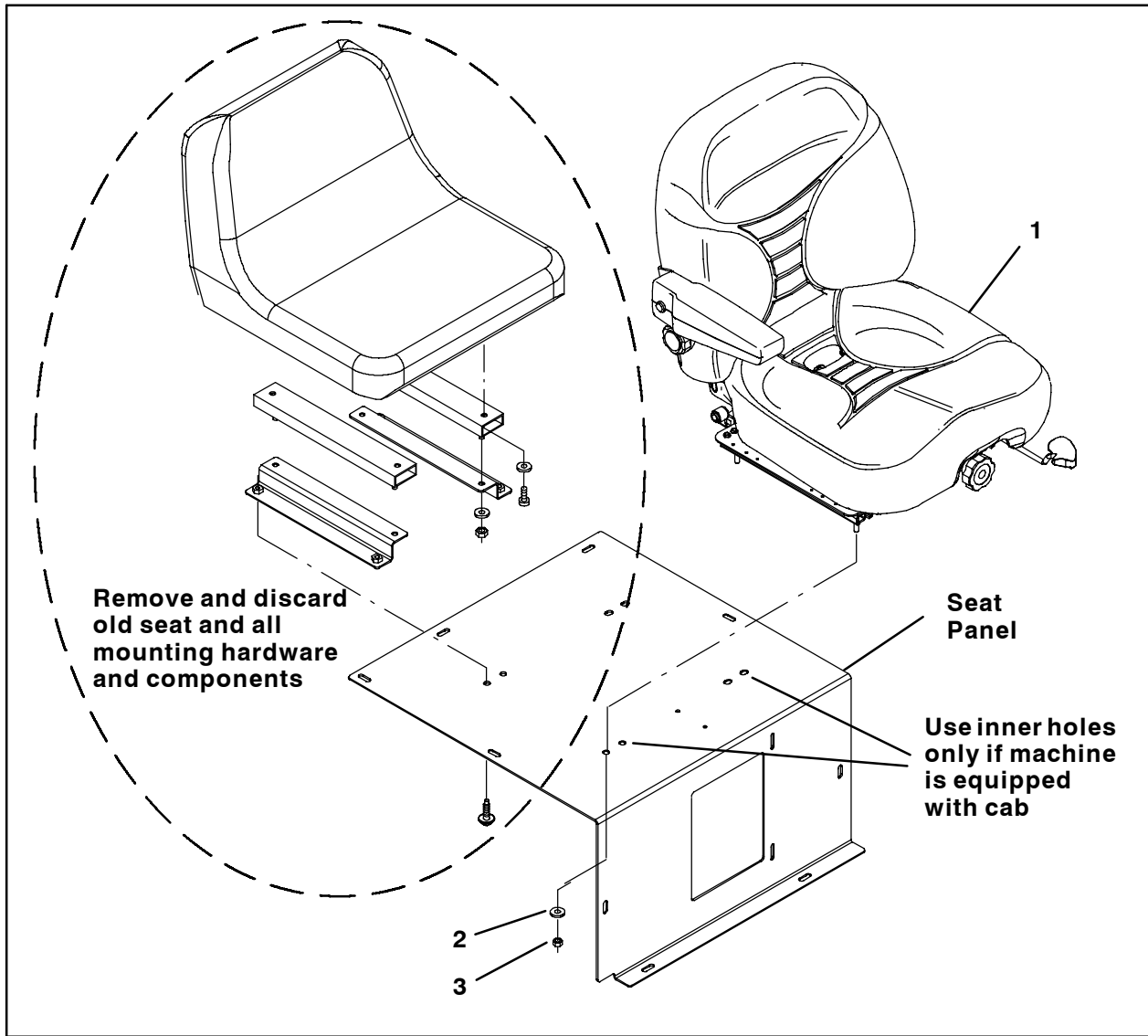


FIG. 1

Bill of Materials for Seat Kit, Dlx, CI [S30] - 9002663

Ref.	Tennant Part No.	Description	Qty.
▽	9002663	Seat Kit, Dlx, CI [S30]	1
▲	1 1022105	Seat, Suspension, w/1 Arm & Seatbelt	1
▲	2 32491	Washer, Flat, 0.31, Std	4
▲	3 32983	Nut, Hex, Lock, .31-18, NL	4

TENNANT COMPANY
P. O. Box 1452
Minneapolis, MN 55440-1452